

ASb 658-1



Impact Wrench



SERVICE

Tool service and maintenance must be performed only by qualified repair personnel.

When servicing a tool, only use identical replacement parts available from FEIN.

Repairs on FEIN Power Tools required the use of special tools (pulling devices and bearing press). Authorized repair centers have trained repair technicians and equipment necessary to perform these repairs. Service or repairs performed by unqualified persons could result in operator injury.

For the location of the repair center near you, please call 1-800-441-9878. Monday thru Friday, 9AM to 5PM EST. Or, look on our web site at www.feinus.com and follow the link to "Authorized Warranty Repair Centers"

**FEIN Power Tools
1030 Alcon Street
Pittsburgh, PA 15220**

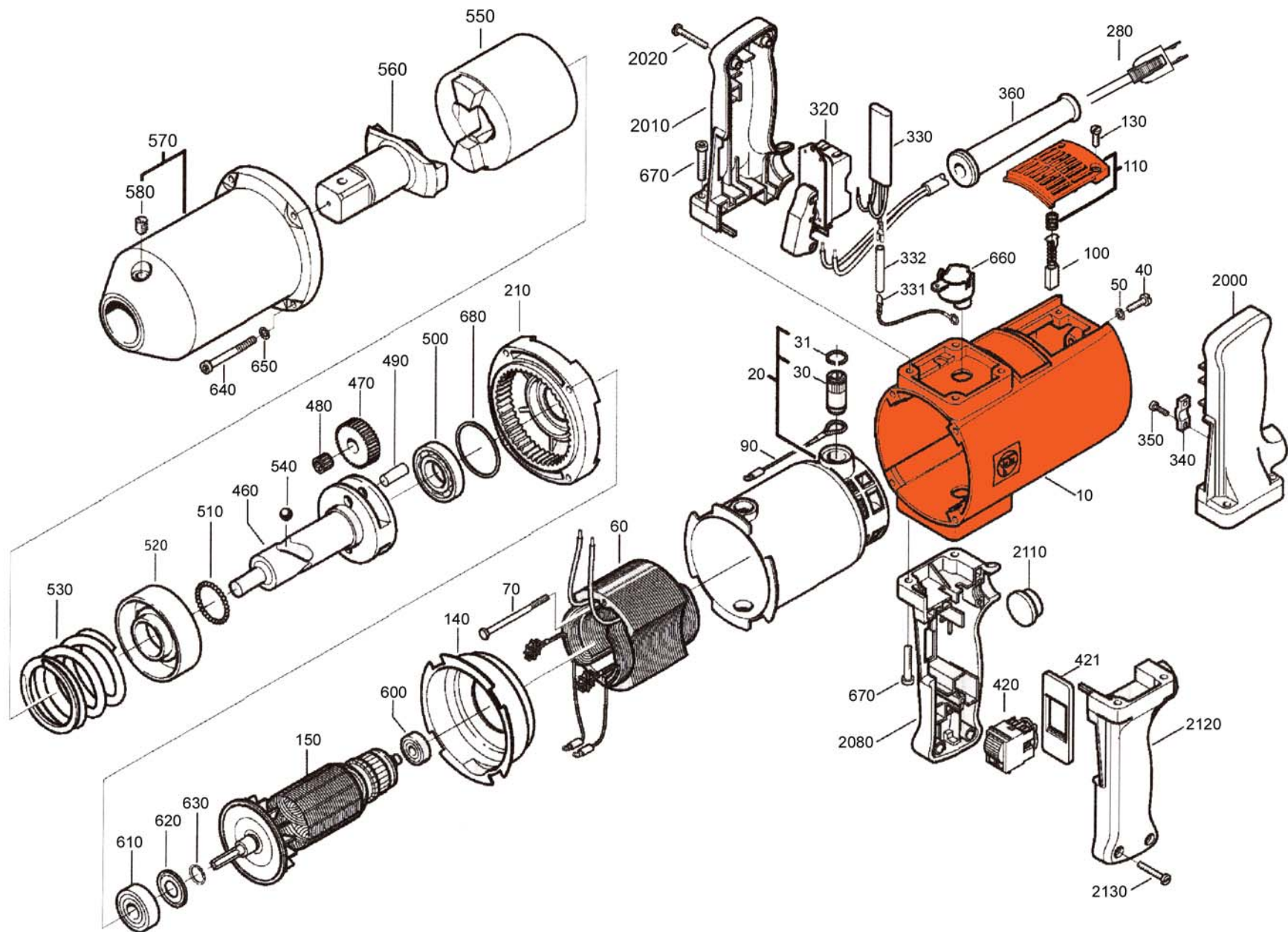
Phone: 412-922-8886 Fax: 412-922-8767 Toll Free: 1-800-441-9878

April 15, 2004



Impact Wrench

Model: ASb 658-1



Fein Power Tools

Asb 658-1 Parts List

<u>Item</u>	<u>Item Number</u>	<u>Description</u>	<u>Reqd.</u>	
10	3-19-03-101-01-5	MOTOR HOUSING	1	_____
20	3-19-13-011-01-4	INSULATED. HOUSING ASSEMBLY	1	_____
30	3-07-12-050-00-4	BRUSH HOLDER	2	_____
31	4-26-15-135-00-5	RETAINER RING	2	_____
40	4-30-02-105-05-5	SCREW	2	_____
50	4-24-43-004-05-7	LOCKING WASHER	2	_____
60	5-1-226-002-11-8	FIELD COIL	1	_____
70	4-30-01-004-04-2	SCREW	2	_____
90	3-07-19-051-01-5	CONNECTION CABLE	2	_____
100	3-07-11-070-00-8	CARBON BRUSH	2	_____
110	3-24-27-037-01-6	COVER	2	_____
130	4-30-02-034-04-3	SCREW	4	_____
140	3-14-28-052-00-3	AIR CONDUCTING RING	1	_____
150	5-3-226-002-11-0	ARMATURE	1	_____
210	3-15-06-166-01-8	INTER HOUSING	1	_____
280	3-07-05-035-01-3	CABLE	1	_____
320	3-07-01-068-00-3	REVERSING SWITCH	1	_____
330	3-07-22-122-02-6	CAPACITOR	1	_____
331	3-07-19-164-01-8	CABLE CLAMP	1	_____
332	3-14-13-188-00-6	SLEEVE	1	_____
340	3-24-31-021-00-7	CABLE CLAMP	1	_____
350	4-30-41-011-99-3	SCREW	2	_____
360	3-14-13-090-00-3	CABLE PROTECTING SLEEVE	1	_____
420	3-07-01-210-01-9	REVERSING SWITCH	1	_____
421	3-24-14-106-00-5	SWITCH INSERT	1	_____
460	3-01-10-011-00-0	DRIVE SHAFT	1	_____
470	3-36-13-066-00-7	BALANCE SPRING	2	_____
480	4-17-15-014-00-7	NEEDLE CAGE	2	_____
490	3-02-16-054-00-7	BOLT	2	_____
500	4-17-01-604-01-1	BALL BEARING 608-RS1	1	_____
510	4-17-08-014-00-1	BALL	29	_____
520	3-26-02-040-00-2	RETAINER RING	1	_____
530	3-09-01-213-00-4	PRESSURE SPRING	1	_____
540	4-17-08-020-00-6	BALL	2	_____
550	3-01-12-013-00-0	PERCUSSION PISTON	1	_____
560	3-01-04-045-00-8	TOOL HOLDER	1	_____
570	3-15-08-114-01-4	GEAR HOUSING	1	_____
580	3-21-31-037-00-5	LUBRICATING NIPPLE	1	_____
600	4-17-01-204-09-5	BALL BEARING 608-RS1	1	_____
610	4-17-01-213-02-7	BALL BEARING 608-RS1	1	_____
620	4-26-40-011-00-2	GASKET	1	_____
630	4-26-43-001-00-7	SEEGER CIRCLIP RING	1	_____
640	4-30-33-018-05-7	SCREW	4	_____
650	4-24-43-004-05-7	LOCK WASHER	4	_____
660	3-14-06-028-00-7	INSULATING BUSH	2	_____
670	4-30-33-014-05-8	SCREW	8	_____
680	3-26-24-039-02-5	WASHER .01MM		_____
680	3-26-24-039-03-1	WASHER .03MM		_____
2000	3-12-04-161-00-4	HANDLE LOWER PART	1	_____
2010	3-12-04-163-00-1	HANDLE UPPER PART	1	_____
2020	4-30-03-042-04-1	SCREW	2	_____
2080	3-12-04-162-00-7	HANDLE LOWER PART	1	_____
2110	3-14-16-039-00-9	SCREW PLUG	1	_____
2120	3-12-04-163-00-1	HANDLE UPPER PART	1	_____
2130	4-30-03-042-04-1	SCREW	2	_____